

Product Name **W1**

Description

MCB-W1 is a waterborne flexible waterproof membrane designed for use under tiled finishes that is capable of accommodating expected structural movement. It complies with the performance requirements of Building Code of Australia 2007 Clause FP1.4 and FP1.7 (Volume 1 – Class 2 to Class 9 buildings) and P2.2.2 and P2.4.1 (Volume 2 – Class 1 and Class 10 building Housing Provisions). May be used under cement based tile adhesives that meet the requirements of Australian Standard 2358.

Features and Benefits

- Class III membrane to AS4858
- Complies with Building Code of Australia FP1.4 and FP1.7 and P2.2.2 and P.2.4.1
- Complies with AS 3740
- Low VOC content
- Permanently flexible - accommodates cracking in substrate
- Excellent adhesion to a wide variety of substrates
- Dries to a keyed finish to promote adhesion with tile adhesives
- Single pack
- Quick drying
- Safe and easy to use
- No priming required
- Designed for use with a 12mm bond-breaker

Areas of Use

- Shower recesses
- Bathroom floor areas
- Laundries
- Kitchens
- Balconies
- Patios
- Steel (suitably primed)
- Concrete, cement render, plaster
- Wet area wall lining board
- Hardie/CSR sheet flooring
- Brick
- Light weight aggregate block
- Plasterboard, MDF
- Plywood sheet flooring

Technical Data

Number of Coats:	2	Curing time:	7 days
Spreading Rate Per Coat:	2m ² /L	Colour:	Pale Orange
Wet Film Per Coat:	500 microns	Thinner:	Water
Recoat (@25°C):	2-4 hours	Shelf Life:	12 months

Properties	Test Method	Test Results
Adhesion: Concrete Fibre Board Plywood Lightweight block Brick Steel	ASTM D4541	1.0-1.5N/mm ² 2.0N/mm ² 1.8N/mm ² 0.5N/mm ² (block failure) 2.5N/mm ² 1.6-3.0N/mmm ²
Tensile Strength	ASTM D412	3-4N/mm ²
Elongation	AS 4858:2004	317%
Water Vapour Transmission	ASTM E96	1g/m ² /24hr
Mandral bend Test (6mm diameter)	180°around cylindrical mandral	Pass – no failure

Product Name **W1**

Technical Data

Hardness	ASTM D2240	29A
Chemical Resistance	Test strips immersed for 7 days before visual examination: Dilute Acids Dilute Alkali Salt Solutions	Good Good Good
Water Absorption	AS 3558.1	2.73%
Volatile Organic Compound (VOC) Content	ASTM D3960-05	22.7g/L

Application Guide

Surface Preparation

- The surface should have a light even texture. Masonry should be flush pointed and all defects in existing surfaces made good. Ensure all high points and protrusions are ground off.
- Surfaces must be clean and dry, free from dust and loose material. Due to the wide variety of substrates available, it is always advisable to check adhesion by laying a test sample before commencing the job.
- Blow-holes, areas of honeycombing, etc., to be filled and the surface brought back to an even profile with a suitable repair render. Trowel to a smooth even finish and allow to cure.

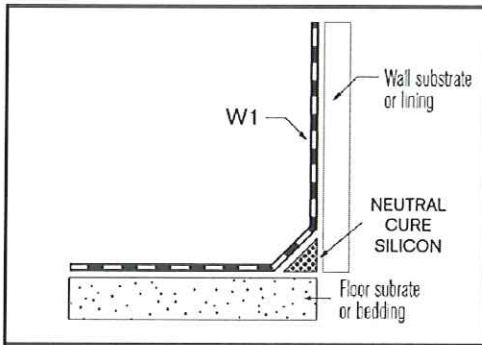
NOTE Less porous substrates may benefit from priming with a 1:1 mixture of MCB-W1 and water, applied at the rate of 8-10m²/L.

Application Procedure and Equipment

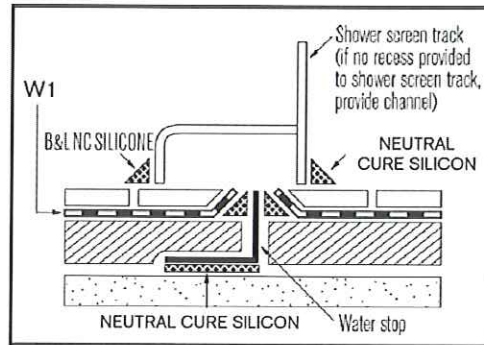
- Apply Neutral Cure Silicone as a Bondbreaker into internal angles/corners (wall and floor junction) and vertical angles/corners (wall and wall junction) as per standard.
- Tiling over expansion joints and construction joints must have tiles placed in such a manner that the joint (extra wide grout line) can be filled with elastomeric sealant.
- After application of Bondbreaker (allow to skin, approx. 2 hours), apply 1st coat of MCB-W1 using a brush. Work from corners towards exposed areas. Allow to dry.
- Apply a 2nd coat of MCB-W1 at right angles to the previous application using a brush or roller.
- Allow to dry before the application of a screed or the commencement of tiling.
- If pond testing is required, allow to dry for 24 hours (dependant on weather conditions) to ensure adequate curing.
- Pond test with water to a depth of 25mm for 2 hours.

Product Name **W1**

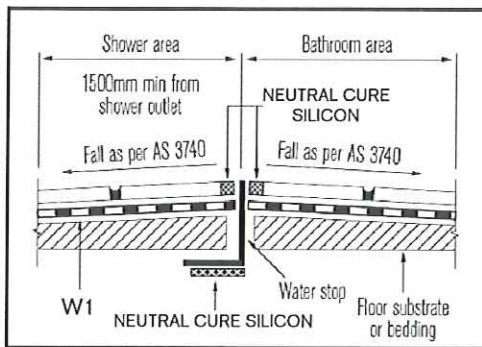
Application Guide:



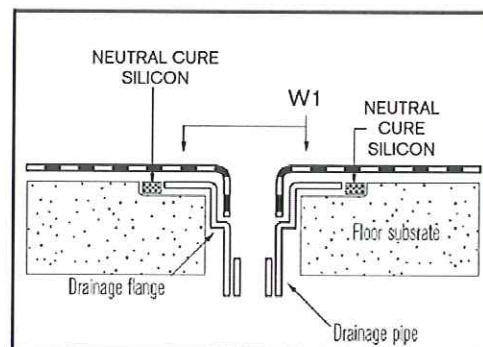
TYPICAL BOND BREAKER DETAIL



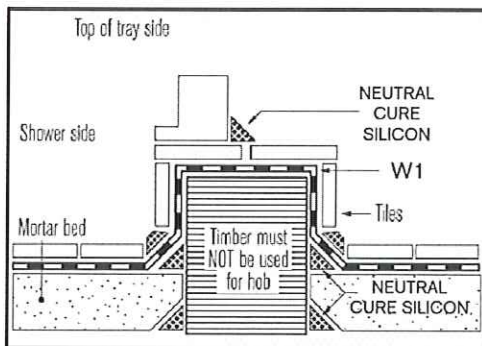
TYPICAL HOBLESS CONSTRUCTION



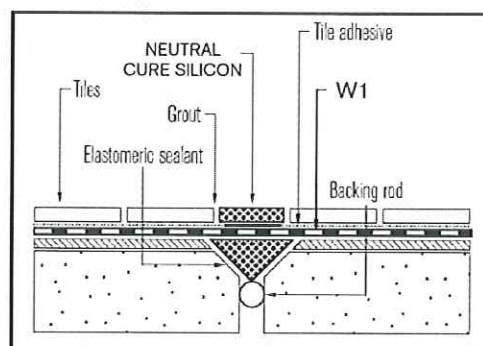
TYPICAL TERMINATION OF MEMBRANE FOR UNENCLOSED SHOWERS



TYPICAL MEMBRANE TERMINATION AT DRAINAGE OUTLET



TYPICAL HOB CONSTRUCTION INTERNAL MEMBRANE



TYPICAL CONSTRUCTION OVER EXPANSION OR CONSTRUCTION JOINTS



Product Name **W1**

Precautions

- Do not apply if the temperature is below 7°C or relative humidity is above 85% or if rain is imminent
- Do not apply MCB-W1 to wet substrates. The moisture content of the surface should be less than 15%. Check with a moisture meter if unsure.

Cleaning

- Equipment can be cleaned with warm water and detergent before the product has dried.

Health & Safety

Safety Precautions

- Provide good ventilation – open windows and doors and use circulating fans.
- If product is splashed on skin it should be washed off with water before it can dry.
- Wear gloves and eye protection during application.

First Aid

Swallowed: Contact a doctor or Poisons Information Centre. Do not induce vomiting. Give water to drink.

Eye: Gently flush with running water, holding eyelids open for 15 mins. Seek medical attention.

For detailed information refer to product label and the current Material Safety Data Sheet available from MCB.

In the case of an emergency please call the Poisons Information Centre on 13 11 26

Transport and Storage

Sizes:	15L	Flash Point:	N/A
Weights:	20.5Kg	UN Number:	N/A
Dangerous Goods Class:	N/A		

Disclaimer

Any advice, recommendation, information, assistance or service provided by MCB in relation to its products or their use is given in good faith, however is provided without responsibility or liability. Customers are advised to undertake their own assessment to determine suitability of a product for the particular use intended. Due to the performance of any product being subject to a wide variety of field and surface conditions we are unable to assume liability for any loss, consequential or otherwise that may arise from the use of our products. Where a product is proven defective, our liability is limited to the replacement of the product.